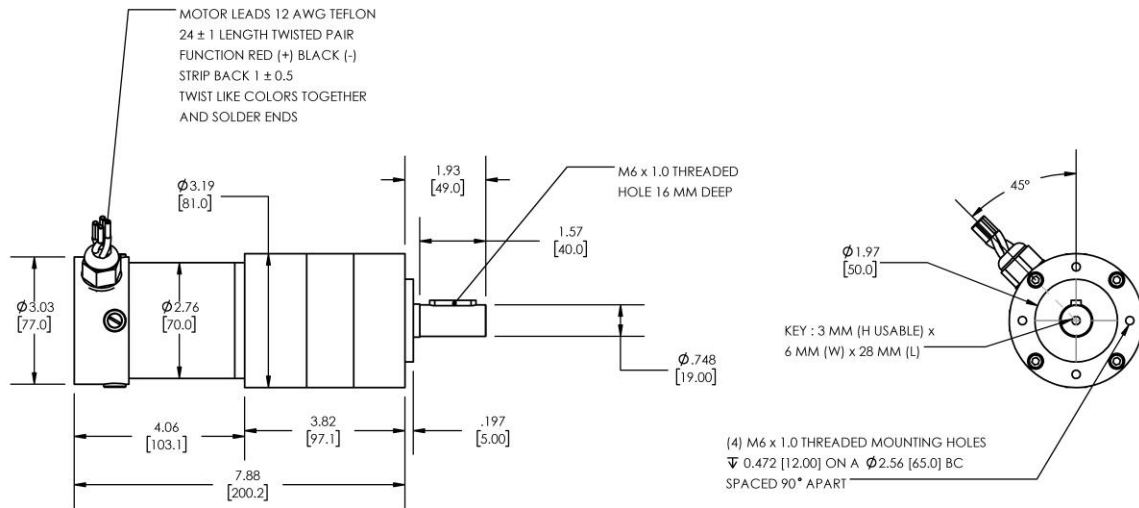


Model Number:
MMP S27-411F-24V GP81-005


DIMENSIONS ARE INCHES [MM] UNLESS OTHERWISE STATED

PLANETARY GEARMOTOR OUTPUT PARAMETERS:	VALUE	UNITS	TOLERANCE
Gearhead Ratio (exact)	5.18 : 1		
Gearhead Shaft Output Speed (at full-load)	475	RPM	MAX
Gearmotor Rated Continuous Torque	23	In-Lbs	MAX
Gearmotor Rated Peak Torque	110++	In-Lbs	----
Gearhead Standard Backlash	30	Arc Minutes	MAX
Gearhead Efficiency	80%	----	----
Output Shaft Radial Load Capacity	90	Lbs	MAX
Output Shaft Axial Load Capacity	18	Lbs	MAX
Gearmotor Total Weight	7.6	Lbs	MAX

++ All Peak Torque values are dependent upon duty. Contact our sales office for details.

DC MOTOR PERFORMANCE PARAMETERS:	VALUE	UNITS	TOLERANCE
Rated DC Voltage	24	DC VOLTS	----
Rated Continuous Current	9.94	AMPERES	----
No-Load Speed	2963	RPM	MAX
Rated Speed	2458	RPM	+/- 15%
Rated Continuous Power Out	162	WATTS	+/- 15%
Rated Continuous Torque	89	OZ-IN	----
Peak Torque (motor only)	426	OZ-IN	----
No-Load Current	1.83	AMPERES	MAX
Back EMF Constant (Ke)	8.1	V/KRPM	+/- 10%
Torque Constant (Kt)	11.0	OZ-IN/AMP	+/- 10%
DC Armature Resistance	0.41	OHMS	+/- 15%
Armature Inductance	0.30	mH	+/- 15%
Armature temperature	155	DEG. C	MAX

NOTES:

- ENCODER & BRAKE OPTIONS AVAILABLE – [FOLLOW THIS LINK FOR DETAILS](#)
- NEMA MOUNTING FLANGE OPTION AVAILABLE – [FOLLOW THIS LINK FOR DETAILS](#)

MIDWEST MOTION PRODUCTS

DESIGN, MANUFACTURING & DISTRIBUTION - MOTION CONTROL EQUIPMENT
www.midwestmotion.com

 email: sales@midwestmotion.com